

32" Channel Drain Flat Grate Suction Outlet Cover and Three-Port Manufactured Sump for Vinyl/Fiberglass

VGB Series

Product Specification Sheet

The AquaStar line of suction outlet covers, compliant with the new Virginia Graeme-Baker Pool and Spa Safety Act (ASME/ANSI A112.19.8a-2008)

Features

A single, unblockable suction outlet that exceeds the new VGB mandate and ASME/ANSI A112.19.8a-2008 standard

For single or multiple drain use (see installation instructions for plumbing, hydrostatic valve/drain pipe and single or multi-pump connections)

Single

Floor: 236 GPM at 3.4 fps
Wall: 136 GPM at 1.9 fps

Floor/wall: 106 GPM at 1.5 fps

22.6 square inch opening

#316 stainless steel screws

Manufactured from superior UV-resistant engineered polymers

Three ports: bottom 2½" OD, 2" ID S/S; inside 2" threaded FPT; two 2" threaded plugs included

Permanently attached gasket reduces gasket alignment problems

Meets or exceeds NSF 50/ASME/ANSI A112.19.8a-2008 national standards and ASTM G154 UV testing

Must use transitional glue when attaching to PVC pipe

Listed with IAPMO R&T

4 per case

The Unblockable!™



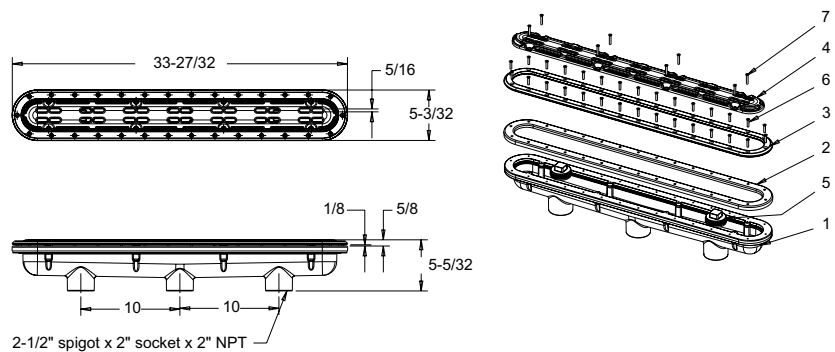
Part # 32CDAVVxxx

Two Drains in One!

Part Numbers / Colors

- 32CDAVV101 White
- 32CDAVV102 Black
- 32CDAVV103 Lt. Gray
- 32CDAVV104 Blue
- 32CDAVV105 Dk. Gray
- 32CDAVV106 Bone
- 32CDAVV107 Taupe
- 32CDAVV108 Tan

VGB 2008 Compliant



1. 32" three-port manufactured vinyl/fiberglass sump bucket
2. 32" channel drain vinyl clamping gasket
3. 32" channel drain vinyl clamping ring with gasket
4. 32" anti-entrapment suction outlet cover
5. 2" NPT plug, qty 2
6. #10 x 1" flat head phillips type-a screw, 316 ss, qty 30
7. #10 x 1-1/4" flat head phillips type-a screw, 316 ss, qty 8