

## 8" Low-Profile Anti-Entrapment Suction Outlet Cover and Skimmer Equalizer Retrofit Kit

### VGB Series

#### Product Specification Sheet

The AquaStar line of suction outlet covers, compliant with the new Virginia Graeme-Baker Pool and Spa Safety Act (ASME/ANSI A112.19.8a-2008)

#### Features

For single or multiple drain use  
(see installation instructions)

Single

Floor: 100 GPM at 4.2 fps

Wall: 70 GPM at 2.9 fps

Floor/wall: 36 GPM at 1.5 fps

7.7 square inch opening

#316 stainless steel screws

Manufactured from superior  
UV-resistant engineered polymers

Easily and safely retrofits to pre-VGB  
AquaStar and Sta-Rite skimmer equalizer/  
suction fittings\*

Replaces "hockey puck" four-screw style  
(up to 70 GPM)

Meets or exceeds NSF 50/ASME/ANSI  
A112.19.8a-2008 national standards and  
ASTM G154 UV testing

Listed with IAPMO R&T

Patent-pending Flow-Star® technology

25 per case



Part # LP8MHxxx

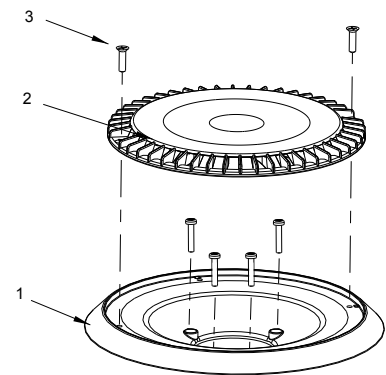
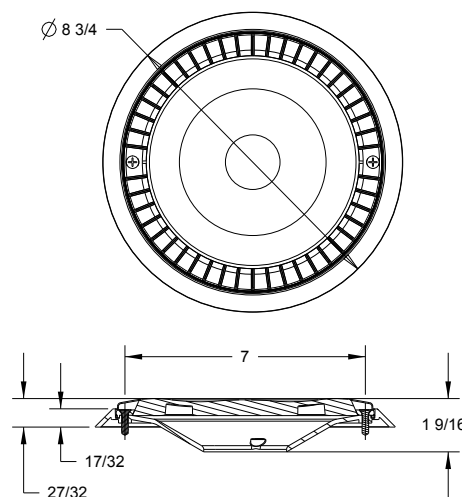
\*Fits AquaStar (pre-VGB p/n 4RNDRBxxx) and Sta-Rite skimmer equalizer/suction fittings

#### Part Numbers / Colors

- LP8MH101 White
- LP8MH102 Black
- LP8MH103 Lt. Gray
- LP8MH104 Blue
- LP8MH105 Dk. Gray
- LP8MH106 Bone
- LP8MH107 Taupe
- LP8MH108 Tan

Also available with 8AVxxx  
p/n 8MHxxx 25/case

**VGB 2008 Compliant**



1. 4" to 8" adapter
2. 8" low-profile anti-vortex cover
3. #10 flat head phillips screw, qty 2
4. #10 flat head phillips screw, qty 4