

## 9" Square Retrofit to Low-Profile 8" Anti-Entrapment Suction Outlet Cover

### VGB Series

#### Product Specification Sheet

The AquaStar line of suction outlet covers, compliant with the new Virginia Graeme-Baker Pool and Spa Safety Act (ASME/ANSI A112.19.8a-2008)

#### Features

For single or multiple drain use  
(see installation instructions)

Requires a minimum 3" sump depth

Single

Floor: 96 GPM at 4.0 fps

Wall: 70 GPM at 2.9 fps

Floor/wall: 36 GPM at 1.5 fps

7.7 square inch opening

#316 stainless steel screws

Manufactured from superior  
UV-resistant engineered polymers

Easily and safely retrofits most brands'  
existing 9" frames\* (see chart on pages 164-  
166 and installation instructions for details  
and special requirements)

All components (cover, adapter  
plate, frame, screws) meet or exceed  
NSF 50/ASME/ANSI A112.19.8a-2008  
national standards and ASTM G154 UV  
testing exposure

Listed with IAPMO R&T

20 per case



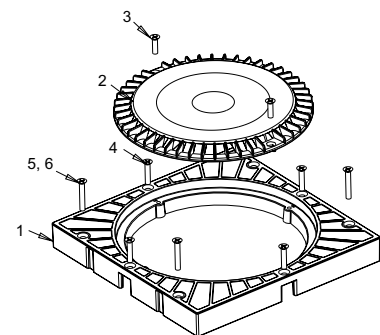
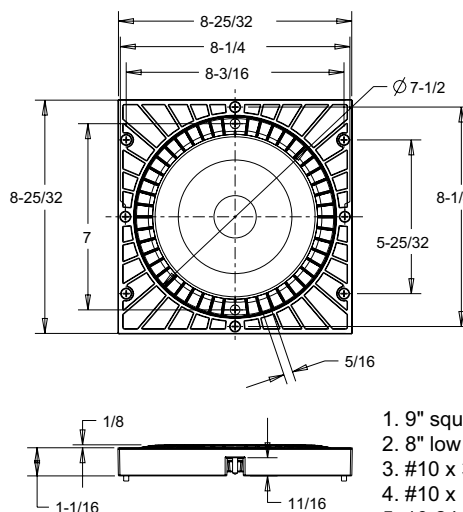
Part # LPRFS9xxx

\*Fits: Hayward, Waterway, American (Pentair #2), PacFab

#### Part Numbers / Colors

- LPRFS9101 White
- LPRFS9102 Black
- LPRFS9103 Lt. Gray
- LPRFS9104 Blue
- LPRFS9105 Dk. Gray
- LPRFS9106 Bone
- LPRFS9107 Taupe
- LPRFS9108 Tan

Frame sold separately  
p/n RFSFR9xxx 20 per case  
**VGB 2008 Compliant**



1. 9" square retrofit to 8" round suction outlet cover
2. 8" low profile anti-entrapment suction outlet cover
3. #10 x 3/4" flat head phillips screw, 316 ss
4. #10 x 1" flat head phillips screw, 316 ss
5. 10-24 x 1-1/4" flat head phillips screw, 316 ss
6. #10 x 1 1/2" flat head phillips screw, 316 ss