

9" Shallow Square to Low-Profile 8" Anti-Entrapment Suction Outlet Cover and Frame

VGB Series

Product Specification Sheet

The AquaStar line of suction outlet covers, compliant with the new Virginia Graeme-Baker Pool and Spa Safety Act (ASME/ANSI A112.19.8a-2008)

Features

For single or multiple drain use
(see installation instructions)

Requires a minimum 3" sump depth

Single

Floor: 96 GPM at 4.0 fps

Wall: 70 GPM at 2.9 fps

Floor/wall: 36 GPM at 1.5 fps

7.7 square inch opening

#316 stainless steel screws

Manufactured from superior
UV-resistant engineered polymers

Easily and safely retrofits most brands'
existing 9" frames* (see chart on pages 164-
166 and installation instructions for details
and special requirements)

All components (cover, adapter
plate, frame, screws) meet or exceed
NSF 50/ASME/ANSI A112.19.8a-2008
national standards and ASTM G154 UV
testing exposure

Listed with IAPMO R&T

20 per case



Part # LPSRFS9xxx

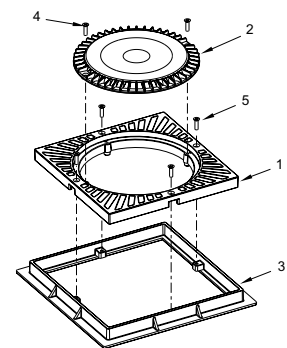
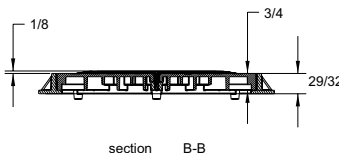
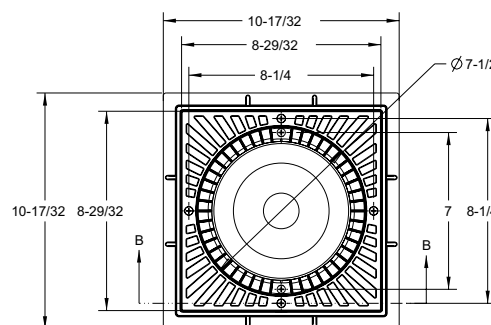
*Fits: AquaStar (p/n 9xxx, pre-VGB "flat"); Pentair (#1 selling
with 3/4" deep existing frames and four screw hole pattern)

Part Numbers / Colors

- LPSRFS9101 White
- LPSRFS9102 Black
- LPSRFS9103 Lt. Gray
- LPSRFS9104 Blue
- LPSRFS9105 Dk. Gray
- LPSRFS9106 Bone
- LPSRFS9107 Taupe
- LPSRFS9108 Tan

Frame included

VGB 2008 Compliant



1. 9" shallow square to 8" round adapter
2. 8" low-profile anti-entrapment suction outlet cover
3. 9" square drain frame
4. #10 x 3/4" flat head phillips screw, 316 ss, qty 2
5. #10 x 3/4" flat head phillips screw, 316 ss, qty 4