

# 8" Retrofit Low-Profile Anti-Entrapment Suction Outlet Cover with Screw and Bushing Kit

## VGB Series

Product Specification Sheet

The AquaStar line of suction outlet covers, compliant with the new Virginia Graeme-Baker Pool and Spa Safety Act (ASME/ANSI A112.19.8a-2008)

### Features

For single or multiple drain use  
(see installation instructions)

Requires a minimum 3" sump depth

Single

Floor: 96 GPM at 4.0 fps

Wall: 70 GPM at 2.9 fps

Floor/wall: 36 GPM at 1.5 fps

7.7 square inch opening

Three sets of different stainless steel screws

Manufactured from superior UV-resistant engineered polymers

Easily and safely retrofits most brands' existing 8" frames and sumps that LP8AVxxx and 8AVxxx do not fit\* (see chart on pages 164-166 and installation instructions for details)

Patent-pending Flow-Star® technology

Super low profile eliminates cleaner hang-ups

Meets or exceeds NSF 50/ASME/ANSI A112.19.8a-2008 national standards and ASTM G154 UV testing

Listed with IAPMO R&T

50 per case



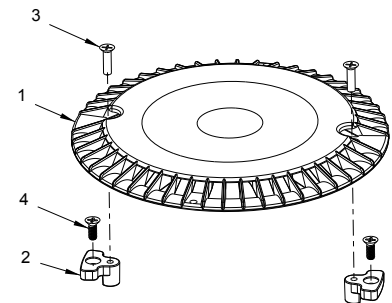
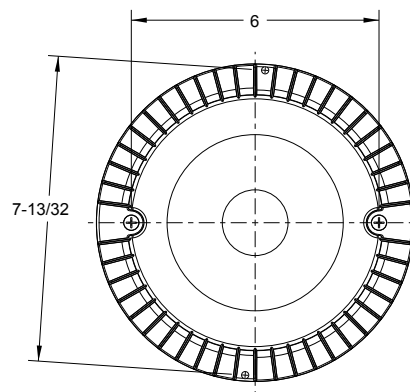
Part # RLP8AVxxx

\*Fits: Alloy Brass Foundry (ABF), Afras, Splash, Sta-Rite, Swimquip, Caretaker/Polaris, Advanced (APP), Hayward and certain Custom Molded (CMP)

### Part Numbers / Colors

- RLP8AV101 White
- RLP8AV102 Black
- RLP8AV103 Lt. Gray
- RLP8AV104 Blue
- RLP8AV105 Dk. Gray
- RLP8AV106 Bone
- RLP8AV107 Taupe
- RLP8AV108 Tan

VGB 2008 Compliant



1. 8" super low-profile anti-entrapment retrofit cover
2. 8" super low-profile anti-entrapment adapter
3. #10 flat head phillips screw
4. 10-24 flat head machine screw, ss

